

# EV8581

## HD FIXED DOME

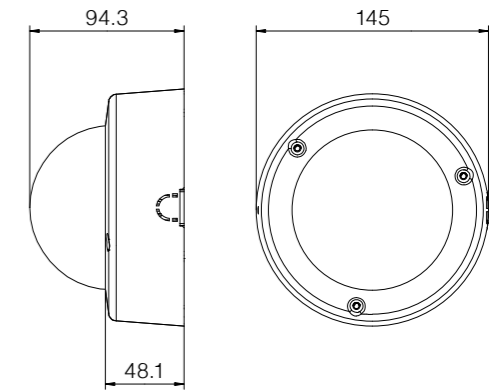


### FEATURES

- ▶ 15 Meter IR Distance
- ▶ H.264 High Profile, MPEG-4, M-JPEG
- ▶ Up to 4 Independent Streams with ROI Feature
- ▶ Two-way Audio Support, Built-in Microphone
- ▶ Event Recording to SD Card
- ▶ PoE+(IEEE 802.3 af)

| MODEL      | RESOLUTION | FRAME RATE | LENS                     | WDR |
|------------|------------|------------|--------------------------|-----|
| EV8581Q-BD | 3 MP       | 20 fps     | 4 mm, F1.5               | YES |
| EV8581Q-CD | 3 MP       | 20 fps     | 3~10 mm, F1.3            | YES |
| EV8581Q-MD | 3 MP       | 20 fps     | 3~9 mm, F1.2,<br>3x Zoom | YES |
| EV8581U-B  | 2.1 MP     | 30 fps     | 4 mm, F1.5               | N/A |
| EV8581U-C  | 2.1 MP     | 30 fps     | 3~10 mm, F1.3            | N/A |
| EV8581A-C  | 1.3 MP     | 30 fps     | 2.7~9 mm, F1.2           | N/A |
| EV8581A-CD | 1.3 MP     | 30 fps     | 2.7~9 mm, F1.2           | YES |

### DIMENSIONS(unit:mm)



### SPECIFICATIONS

| Model                             | EV8581U-B   | EV8581U-C  | EV8581A-C   | EV8581Q-MD <b>WDR</b> <b>3x OPTICAL ZOOM</b>  | EV8581Q-BD <b>WDR</b>   | EV8581Q-CD <b>WDR</b>  | EV8581A-CD <b>WDR</b>     |
|-----------------------------------|---|--|---|---|---|--|---------------------------|
| <b>Image Sensor</b>               | 1/2.7" HD-1080p CMOS  |  | 1/3" 1.3 MP CMOS  | 1/3" 3 MP WDR CMOS  |   |  | 1/3" 1.3 MP WDR CMOS      |
| <b>WDR</b>                        | N/A   |  |   | Dual-exposure, up to 110 dB   |   |  |                           |
| <b>Num. of Effective Pixels</b>   | 1920 x 1080 HxV   |  | 1280 x 1024 HxV   | 2048 x 1536 HxV   |   |  | 1280 x 1024 HxV           |
| <b>Lens</b>                       | 4 mm, F1.5  | 3~10 mm Vari-Focal, F1.3   | 2.7~9 mm Vari-Focal, F1.2                                       | 3x Optical Zoom: 3~9 mm, F1.2   | 4 mm, F1.5  | 3~10 mm Vari-Focal, F1.3   | 2.7~9 mm Vari-Focal, F1.2 |
| <b>Minimum Illumination</b>       | 0.1 Lux @ F1.2  | 0.1 Lux @ F1.2, 0 Lux(IR on, 28 Pcs LED 15 M)                    |   | 0.1 Lux @ F1.2  |   | 0.1 Lux @ F1.2, 0 Lux(IR on, 28 Pcs LED 15 M)                    |                           |
| <b>Shutter Time(Sec.)</b>         | 1/3~1/6400 or 1/4~1/8000 Selectable   |  |   | 1/3~1/6400 or 1/4~1/8000 Selectable   |   |  |                           |
| <b>Auto Iris</b>                  | N/A   | DC Drive   |   | P-Iris  | N/A   | DC Drive   |                           |
| <b>S/N Ratio</b>                  | More than 38 dB   |  |   | More than 39 dB   |   |  |                           |
| <b>Day/Night</b>                  | Day only  | YES, Built-in ICR, IR Aauto-start under 10 Lux                   |   | YES, Built-in ICR   | Day only  | YES, Built-in ICR, IR Auto-start under 10 Lux                    |                           |
| <b>Video Compression</b>          | Motion JPEG, MPEG-4, H.264 High Profile   |  |   | Motion JPEG, MPEG-4, H.264 High Profile   |   |  |                           |
| <b>H.264/MJPEG</b>                | 30fps @ HD-1080p / HD-720p / D1 / VGA / QVGA / QQVGA  |  | 30fps @ SXGA / 1024 x 768 / 800 x 600 / D1 / VGA / QVGA / QQVGA | 20fps @ 3MP, 30fps @ HD-1080p / HD-720p / 1024 x 768 / 800 x 600 / D1 / VGA / QVGA / QQVGA  |   | 30fps @ SXGA / 1024 x 768 / 800 x 600 / D1 / VGA / QVGA / QQVGA  |                           |
| <b>MPEG4</b>                      | 30fps @ HD-1080p / HD-720p / D1 / VGA / QVGA / QQVGA  |  | 30fps @ SXGA / 1024 x 768 / 800 x 600 / D1 / VGA / QVGA / QQVGA | 30fps @ HD-1080p / HD-720p / 1024 x 768 / 800 x 600 / D1 / VGA / QVGA / QQVGA   |   | 30fps @ SXGA / 1024 x 768 / 800 x 600 / D1 / VGA / QVGA / QQVGA  |                           |
| <b>Video Streaming</b>            | Multiple Stream: Support up to 4 Independent Streams with ROI(Region of Interest) Feature, Controllable Framerate and Bandwidth CBR/VBR                 |  |   | Multiple Stream: Support up to 4 Independent Streams with ROI(Region of Interest) Feature, Controllable Framerate and Bandwidth CBR/VBR                 |   |  |                           |
| <b>Bitrate</b>                    | M-JPEG/VBR Mode: 5 Video Quality Level Selectable, MPEG-4/H.264 CBR Mode: 1 M~12 Mbps   |  |   | M-JPEG/VBR Mode: 5 Video Quality Level Selectable, MPEG-4/H.264 CBR Mode: 1 M~12 Mbps   |   |  |                           |
| <b>Video Output</b>               | YES, Composite Video  |  |   | YES, Composite Video  |   |  |                           |
| <b>Image Setting</b>              | Compression, Brightness, Contrast, Mirroring, Sharpness, AWB, AES, AGC, BLC, Day/Night Mode, WDR, 4 Privacy Mask Regions                                |  |   | Compression, Brightness, Contrast, Mirroring, Sharpness, AWB, AES, AGC, BLC, Day/Night Mode, WDR, 4 Privacy Mask Regions                                |   |  |                           |
| <b>Audio Compression</b>          | G.711(u-law & a-law)/G.726/AAC  |  |   | G.711(u-law & a-law)/G.726/AAC  |   |  |                           |
| <b>Audio Input</b>                | Built-in Microphone<br>Line In x 1  |  |   | Built-in Microphone<br>Line In x 1  |   |  |                           |
| <b>Audio Output</b>               | Line Out x 1  |  |   | Line Out x 1  |   |  |                           |
| <b>Security</b>                   | Password Protection, IP Address Filtering, User Access Privilege  |  |   | Password Protection, IP Address Filtering, User Access Privilege  |   |  |                           |
| <b>Network Protocols</b>          | TCP/IP, UDP, DHCP, PPPoE, HTTP, HTTPS, DNS, DynDNS, NTP, FTP, SMTP, UDP, RTP, RTSP, RTCP, 3GPP, UPnP, IPv4/v6, SAMBA Client(NAS)                        |  |   | TCP/IP, UDP, DHCP, PPPoE, HTTP, HTTPS, DNS, DynDNS, NTP, FTP, SMTP, UDP, RTP, RTSP, RTCP, 3GPP, UPnP, IPv4/v6, SAMBA Client(NAS)                        |   |  |                           |
| <b>App. Integration Interface</b> | CGI, ONVIF Support  |  |   | CGI, ONVIF Support  |   |  |                           |
| <b>Intelligent Video</b>          | Video Motion Detection  |  |   | Video Motion Detection  |   |  |                           |
| <b>Alarm Trigger</b>              | Periodical Timer, Intelligent Video and External Digital Input  |  |   | Periodical Timer, Intelligent Video and External Digital Input  |   |  |                           |
| <b>Alarm Event</b>                | Intelligent Video, File Upload via FTP and E-mail, Notification via E-mail, External Output Activation, File Recording to SD Card/Remote FTP/Remote NAS |  |   | Intelligent Video, File Upload via FTP and E-mail, Notification via E-mail, External Output Activation, File Recording to SD Card/Remote FTP/Remote NAS |   |  |                           |
| <b>Video Buffer</b>               | 24 MB Max.  |  |   | 24 MB Max.  |   |  |                           |
| <b>Configuration</b>              | EtroScan™ Utility, Web UI   |  |   | EtroScan™ Utility, Web UI   |   |  |                           |
| <b>Web Browser</b>                | Microsoft Internet Explorer 7.0, or Above   |  |   | Microsoft Internet Explorer 7.0, or Above   |   |  |                           |
| <b>Local Storage</b>              | microSD Card Support  |  |   | microSD Card Support  |   |  |                           |
| <b>Casing</b>                     | Vandal-proof  |  |   | Vandal-proof  |   |  |                           |
| <b>Dimension</b>                  | 145(Ø) x 94(H) mm   |  |   | 145(Ø) x 94(H) mm   |   |  |                           |
| <b>Weight</b>                     | 600 g   | 650 g  | 630 g   | 630 g   | 600 g   | 650 g  | 630 g                     |
| <b>Processor &amp; Memory</b>     | ARM 9 Base SoC, 256 MB RAM, 128 MB Flash  |  |   | ARM 9 Base SoC, 256 MB RAM, 128 MB Flash  |   |  |                           |
| <b>Power Consumption</b>          | Power Input: 8~25 Vdc, 24 Vac<br>Max. Consumption: 4.5 Watt   | Power Input: 8~25 Vdc, 24 Vac, PoE<br>Max. Consumption: 8.9 Watt |   | Power Input: 8~25 Vdc, 24 Vac, PoE<br>Max. Consumption: 8.9 Watt  | Power Input: 8~25 Vdc, 24 Vac<br>Max. Consumption: 4.5 Watt   | Power Input: 8~25 Vdc, 24 Vac, PoE<br>Max. Consumption: 8.9 Watt |                           |
| <b>I/O Connectors</b>             | 1) RJ-45 Female Type 10 BASE-T/100 BASE-TX<br>2) 3-Pin Terminal Block for DC or AC Power Input<br>3) Audio Line In/Out                                  | 4) Alarm In/Out<br>5) microSD Card Slot<br>6) Video Out Wafer    |   | 1) RJ-45 Female Type 10 BASE-T/100 BASE-TX<br>2) 2-Pin Terminal Block for DC Power Input<br>3) Audio Line In/Out  | 4) Alarm In/Out<br>5) microSD Card Slot<br>6) Video Out Wafer |  |                           |
| <b>Failover</b>                   | microSD/SDHC Auto-recovery, Reset   |  |   | microSD/SDHC Auto-recovery, Reset   |   |  |                           |
| <b>Operation Conditions</b>       | -10°C~55°C(-13°F~131°F) Humidity: 20%~80% RH  |  |   | -10°C~50°C(14°F~122°F)<br>Humidity: 20%~80% RH  | -10°C~55°C(-13°F~131°F) Humidity: 20%~80% RH                  |  |                           |
| <b>Power over Ethernet</b>        | N/A   | 802.3 af Standard A/B Compliant                                  |   | 802.3 af Standard A/B Compliant   | N/A   | 802.3 af Standard A/B Compliant                                  |                           |
| <b>Included Accessories</b>       | QIG, Power Adapter, Power Cable, CD-ROM(User Manual, Free Bundle NVR)   |  |   | QIG, Power Adapter, Power Cable, CD-ROM(User Manual, Free Bundle NVR)   |   |  |                           |
| <b>Approvals</b>                  | FCC Part15 SubpartB, CE, CN EN55022 ClassB, EN55024, LVD, RoHS  |  |   | FCC Part15 SubpartB, CE, CN EN55022 ClassB, EN55024, LVD, RoHS  |   |  |                           |
| <b>IR Range</b>                   | N/A   | 15 M   |   | N/A   |   | 15 M   |                           |
| <b>Number of IR LED</b>           | N/A   | 28   |   | N/A   |   | 28   |                           |
| <b>IR Angle</b>                   | N/A   | View Angle: 25°/40°  |   | N/A   |   | View Angle: 25°/40°  |                           |
| <b>IR Wavelength</b>              | N/A   | 850 nm   |   | N/A   |   | 850 nm   |                           |