



NWC-0455 Dinion IP Cameras



- ▶ High quality digital color IP camera
- ▶ DVD-quality, 4CIF video at up to 30 FPS
- ▶ Storage efficient tri-streaming: Dual MPEG-4 and M-JPEG simultaneously
- ▶ Power over Ethernet (IEEE 802.3af compliant)
- ▶ Direct iSCSI recording
- ▶ Hybrid IP camera with analog and Ethernet outputs
- ▶ NightSense for low light situations
- ▶ Ultra-compact size

Dinion IP cameras are modern, hybrid systems that support legacy-direct analog output, as well as modern network delivery. They can stream video simultaneously on both channels. Supporting the award-winning Dinion digital imaging technology, they provide proven, dependable service for the most demanding security and surveillance requirements.

Functions

Unsurpassed flexibility

The Dinion IP is a true hybrid camera. Equipped with both Ethernet and BNC connections, it can simultaneously stream IP video across a local or wide area network and CVBS video via coaxial cable to support existing analog equipment. It can fit seamlessly into an existing analog system, making use of installed equipment, while providing new IP-based functionality.

There are many ways to access the camera's video: on a PC using a web browser, using Bosch's DiBos Digital Video Recorder, with VIDOS or BVMS video management systems, or via a Bosch IP video decoder for viewing on an analog CVBS or VGA monitor. The BNC connection provides direct input to a conventional analog matrix switcher or DVR, further enhancing the Dinion IP's viewing and recording flexibility.

Efficient bandwidth and storage management

The cameras use MPEG-4 compression, bandwidth throttling, and multicasting capabilities to manage bandwidth and storage requirements efficiently, while delivering the best image quality and resolution. Bosch's innovative tri-streaming feature enables Dinion IP cameras to generate two independent MPEG-4 streams and a M-JPEG stream simultaneously. This allows streaming of high-quality images for live viewing, while recording at a reduced frame rate, and streaming M-JPEG images to a remote PDA device at the same time. The M-JPEG video stream also provides easy integration with third-party JPEG or M-JPEG-compatible video management systems.

The Dinion IP cameras offer unparalleled recording options. Attached to the network, they can use iSCSI devices directly, as well as Network Video Recorders (NVRs). The iSCSI RAID5 storage support enables the cameras to function as a conventional DVR, while streaming high-performance live video across the network. The cameras also offer 10 Mb internal RAM storage.

Cost effective, simple installation

Dinion IP cameras contain a built-in Power over Ethernet (PoE) compliant network adapter. Power over Ethernet transmits power from the network switch, over the Ethernet cable, directly to the camera. This makes installation easier and less expensive, because cameras can now be installed in places where AC power is not available.

The On-Screen Display (OSD) simplifies back focus adjustment and network configuration, minimizing installation and support costs. The Lens Wizard automatically detects the lens type and helps focus the lens at the maximum opening to maintain proper focus throughout the 24-hour cycle. Unlike other IP cameras, no network connection, PC configuration utilities, or other tools are required to set up Dinion IP cameras.

Superior image quality

With a 1/3-inch color CCD and Bosch’s advanced digital signal processing, the Dinion IP provides outstanding image quality in virtually all situations. Automatically activate the NightSense feature to extend sensitivity under low-light conditions by a factor of three in monochrome operation. MPEG-4 compression technology provides DVD-quality, 4CIF video at frame rates of up to 30 images per second for NTSC, and up to 25 IPS for PAL.

Intelligence

The Dinion IP supports increased intelligence at the edge that provides powerful tamper detection for various combined picture cases arising from: video loss, masking, hooding, defocusing, and diverted camera. Bosch also offers Intelligent Video Motion Detection (IVMD) as an additional licensable option. This provides Video Content Analysis (VCA) directly at the video input for even more advanced VCA.

Controls and indicators

- 5 control keys
- Lock slider
- Status LED

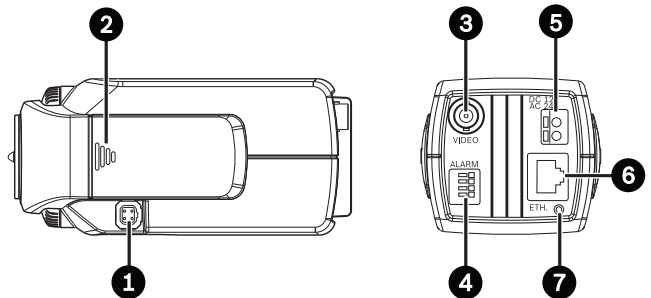
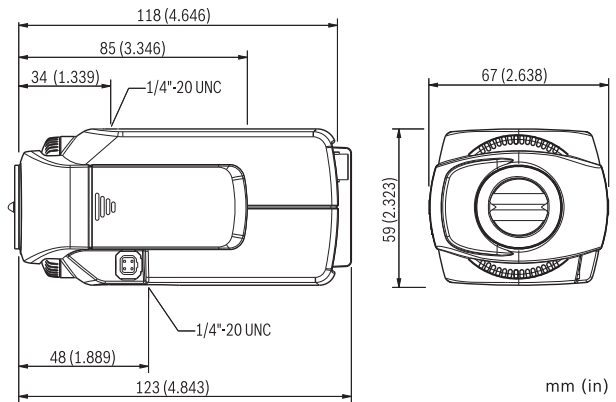
Interconnections

- BNC, video out
- 4-pole push in, alarm in, relay out
- 2-pole push in, external power
- RJ45

Certifications and Approvals

Safety	acc. to EN 60950-1 (CE)
	acc. to UL 60950-1; CAN/CSA E 60950-1
	Immunity
Immunity	acc. to EN 50130-4 (CE)
Emission	acc. to EN 55022 class B (CE)
	acc. to EN 61000-3-2 (CE); EN 61000-3-3 (CE)
	acc. to FCC CFR 47 Part 15, Class B
	acc. to AS/NZS CISPR 22 (equal to CISPR 22)
Vibration	Camera with 500 g (1.1 lb) lens according to IEC60068-2-6

Installation/Configuration Notes



Dimensions in mm (in)

1 Lens connector	5 Power supply input
2 Control buttons	6 10/100 Base-T Fast Ethernet
3 BNC video output	7 LED (power, link, traffic)
4 Alarm in, relay out	

Parts Included

Quantity	Components
1	Dinion IP Camera
1	Spare lens connector
1	C/CS mount conversion ring
1	Quick Installation Guide
1	CD-ROM with manual

Technical Specifications

Electrical

Power

Input voltage	+11 to +36 VDC (700 mA) 12 to 28 VAC (700 mA) Power over Ethernet
---------------	---

Power consumption	8 VA (max)
Connector	2-pole push in

Video

Video standards	MPEG-4; M-JPEG
GOP structure	I, IP
Data rate	9.6 Kbps to 6 Mbps (const. and variable)
Sensor	1/3 in. interline CCD

Sensor Matrix

PAL	752 x 582
NTSC	768 x 494

Resolutions and Frame Rates	PAL	NTSC
4CIF: 25/30 IPS	704 x 576	704 x 480
2CIF: 25/30 IPS	704 x 288	704 x 240
half D1: 25/30 IPS	352 x 576	352 x 480
CIF: 25/30 IPS	352 x 288	352 x 240
QCIF: 25/30 IPS	176 x 144	176 x 120

Video Out	1 x
Signal	Analog composite (NTSC or PAL)
Connector	BNC, 75 Ohm
Video S/N	50 dB

Sensitivity	(F1.2, 50% signal, scene reflect. 89%)
NightSense	0.26 lx (0.026 fc)
Color	0.65 lx (0.065 fc)

Minimum Illumination

NightSense	0.12 lx (0.012 fc)
Color	0.30 lx (0.03 fc)
Dynamic Range	60 dB
BLC	Center window weighting
Gain	21 dB (max)
White Balance	Auto (2500 to 9000 K)
Auto Black	On/off selectable

Electronic Shutter

PAL	1/50 to 1/125000 s (auto)
NTSC	1/60 to 1/150000 s (auto)
Alarm In	+5 VDC nominal, +40 VDC max
Relay Out	30 VAC (max) or +40 VDC, 10 VA continuous (max 0.5 A)

Software Control

Unit Configuration	Via web browser or Configuration Manager
Motion Detection	On/off
Flicker Control	50/60 Hz, selectable
Contour	Horizontal and vertical, symmetrical
Firmware	Flash ROM, remote update

Network

Protocols	Telnet, RTP, HTTP, ARP, TCP, UDP, IP, ICMP, IGMPv2/v3, SNMP, 802.1x
Ethernet	10/100 Base-T, auto-sensing, half/full duplex, RJ45
Overall Unit Delay	100 ms (MPEG-4)
PoE	IEEE 802.3af compliant

Mechanical

Dimensions (H x W x D)	59 x 67 x 123 mm (2.32 x 2.64 x 4.84 in.)
Weight (without lens)	Approx. 0.45 kg (1 lb)
Mounting	¼ in. tripod on top and bottom
Color	Gray, black, and light blue
Lens Mounting	C/CS

Environmental

Operating Temperature	0 °C to +40 °C (+32 °F to +104 °F)
Storage Temperature	-25 °C to +70 °C (-13 °F to +158 °F)
Humidity	20% to 80% relative humidity (noncondensing)

Ordering Information

NWC-0455-10P Dinion IP Camera 1/3-inch color network camera, PAL, 24 VAC/ 12 VDC/PoE, 50 Hz	NWC-0455-10P
--	---------------------

NWC-0455-20P Dinion IP Camera 1/3-inch color network camera, NTSC, 24 VAC / 12 VDC / PoE, 60 Hz	NWC-0455-20P
--	---------------------

Software Options

NWC-04X5-FS1 Dinon IP IVMD 1.0 VCA software license	NWC-04X5-FS1
---	---------------------

NWC-04X5-FS2 Dinon IP IVMD 2.0 VCA software license	NWC-04X5-FS2
---	---------------------

NWC-04X5-FS3 Dinon IP IVA 3.0 VCA software license	NWC-04X5-FS3
--	---------------------

Americas:

Bosch Security Systems, Inc.
130 Perinton Parkway
Fairport, New York, 14450, USA
Phone: +1 800 289 0096
Fax: +1 585 223 9180
security.sales@us.bosch.com
www.boschsecurity.us

Europe, Middle East, Africa:

Bosch Security Systems B.V.
P.O. Box 80002
5600 JB Eindhoven, The Netherlands
Phone: + 31 40 2577 284
Fax: +31 40 2577 330
emea.securitysystems@bosch.com
www.boschsecurity.com

Asia-Pacific:

Robert Bosch (SEA) Pte Ltd, Security Systems
38C Jalan Pemimpin
Singapore 577180
Phone: +65 6319 3453
Fax: +65 6319 3499
apr.securitysystems@bosch.com
www.boschsecurity.com

Represented by