

CCC1390H Series Day/Night, WDR, CCD Compact Camera

1/3-INCH, HIGH RESOLUTION, 530 TVL B-W/480 TVL COLOR (NTSC/PAL)

Product Features

- Compact Body Style
- Wide Dynamic Range (60 dB Maximum)
- Day/Night with Automatic or Manual Control
- Electronic PTZ
- 1/3-Inch Format Sony® SS-2WD CCD Imager
- Digital Signal Processing
- 530 TV Lines (B-W); 480 TV Lines (Color)
- On-Screen Menu Configuration
- Four Preset Application Profiles; One User-Definable Profile
- Auto White Balance, Automatic Gain Control, Electronic Shutter Control, and Backlight Compensation
- Flickerless Mode
- Autosensing DC-Drive Auto Iris
- Autosensing 24 VAC/12 VDC with Line Lock or Internal Synchronization
- Compatible with Pelco P and Pelco D Protocol



(LENS NOT SUPPLIED WITH CAMERA)

CCC1390H-6/6X

The **CCC1390 Series** camera is a compact, wide dynamic range (WDR), day/night camera. Its WDR technology provides up to 60 dB of dynamic range and produces superior images over a wide range of lighting conditions, including extreme backlight conditions. The camera also uses a removable infrared (IR) cut filter to switch between color and black-white (B-W) modes as environmental lighting conditions change. It also provides a dual resolution of 530 TVL (B-W) and 480 TVL (color).

On-screen programmable menus can be accessed locally using the rear panel button or remotely using any Pelco controller with Pelco P or Pelco D protocol. Use these menus to select a specific profile or to customize and save camera settings for the specific application.

The **CCC1390 Series** camera has a standard CS-mount and can be used with fixed, manual, or DC-drive auto iris lenses. The auto iris is controlled through a standard four-pin square connector that is included with all Pelco auto iris lenses.

The **CCC1390 Series** camera is quick and easy to install and its compact size makes it ideal for Pelco's DomePak® and ImagePak® fixed camera dome/enclosure packages.



CCC1390H-6/6X



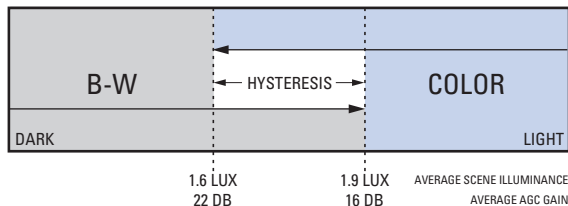
TECHNICAL SPECIFICATIONS

MODELS

| | |
|-------------|------------------------------------------------------------------------------------|
| CCC1390H-6 | 1/3-inch high resolution day/night, WDR, CCD camera; 24 VAC or 12 VDC; NTSC format |
| CCC1390H-6X | 1/3-inch high resolution day/night, WDR, CCD camera; 24 VAC or 12 VDC; PAL format |

GENERAL

| | |
|----------------------------|--------------------------------------------------------|
| Day/Night Operation | Infrared (IR) cut filter |
| Day | BK-7 glass, same optical displacement as day |
| Night | 1/3-inch image format Sony SS-2WD CCD |
| Imaging Device | 60 dB maximum (WDR mode) |
| Dynamic Range | |
| Picture Elements | |
| NTSC | 768 (H) x 494 (V) (approx. 380K) |
| PAL | 752 (H) x 582 (V) (approx. 440K) |
| Sensing Area | 6 mm diagonal |
| Scanning System | 525 (NTSC)/625 (PAL), 2:1 interlace |
| Synchronization | AC line lock/internal |
| Horizontal Resolution | 530 TV lines (B-W); 480 TV lines (color) |
| Electronic Shutter Range | |
| NTSC | 1/60-1/50,000 second |
| PAL | 1/50-1/50,000 second |
| Auto Iris Lens Type | DC-drive (autosensing) |
| Minimum Illumination | |
| B-W (SENS 40x) | 0.002 lux, F1.2, 40 IRE, AGC on, 75% scene reflectance |
| Color (SENS 40x) | 0.02 lux, F1.2, 40 IRE, AGC on, 75% scene reflectance |
| B-W | 0.08 lux, F1.2, 40 IRE, AGC on, 75% scene reflectance |
| Color | 0.8 lux, F1.2, 40 IRE, AGC on, 75% scene reflectance |
| Filter Switching Threshold | |
| Day to Night | 1.6 lux, average scene illumination |
| Night to Day | 1.9 lux, average scene illumination |



| | |
|-----------------------------|-------------------------------------------------------|
| Digital Slow Shutter (SENS) | Selectable: on/off; 2x, 4x, 6x, 8x, 10x, 20x, 40x |
| Electronic PTZ | Selectable: 1.5x, 2.0x, 2.5x |
| Signal-to-Noise Ratio | >50 dB |
| Vertical Phase | Adjustable $\pm 90^\circ$ |
| Automatic Gain Control | Selectable: on/off |
| Backlight Compensation | Selectable: on/off; 1/100 sec (NTSC), 1/120 sec (PAL) |
| Flickerless Mode | Selectable: on/off, 4 modes |
| Auto White Balance | Selectable: on/off, 4 modes |
| Day/Night | Digital signal processing (DSP) |
| Signal Processing | 1 Vp-p, 75 ohms |
| Video Output | Selectable: on/off, 0.45, 0.6, 1.0 |
| Gamma Correction | 2,500° to 8,600°K |
| White Balance Range | |

NOTE: For outdoor camera installations, a Pelco enclosure is recommended.

ELECTRICAL

| | |
|---------------------|----------------------------------------------|
| Power Requirements | 24 VAC $\pm 15\%$ /12 VDC $\pm 15\%$, 60 Hz |
| CCC1390H-6 | 24 VAC $\pm 15\%$ /12 VDC $\pm 15\%$, 50 Hz |
| CCC1390H-6X | |
| Power Consumption | 3.5 W |
| Power Connector | 3-pin terminal strip, push-in type |
| Video Connector | BNC |
| Auto Iris Connector | 4-pin connector (miniature square) |
| Mode Indicators | 4 LED |
| Controls | 5-position button |
| Control Connector | Serial data termination switch |
| | 7-pin micro (1.25 mm) connector |
| | Data I/O (Pelco P or Pelco D protocol) |
| | External day/night filter control |

MECHANICAL

| | |
|--------------|--------------------------------------------------------|
| Lens Mount | CS mount |
| Camera Mount | 1/4-inch UNC-20 screw, top or bottom of camera housing |

ENVIRONMENTAL

| | |
|-----------------------|-----------------------------|
| Operating Temperature | 14° to 122°F (-10° to 50°C) |
| Storage Temperature | -4° to 140°F (-20° to 60°C) |
| Operating Humidity | 20% to 80% (noncondensing) |
| Storage Humidity | 20% to 90% (noncondensing) |

PHYSICAL

| | |
|-----------------------|--------------------------------------------------------|
| Dimensions | 2.69" D x 2.09" W x 2.19" H (6.83 x 5.31 x 5.56 cm) |
| Weight (without lens) | 0.44 lb (0.20 kg) |
| Shipping Weight | 1 lb (0.45 kg) |

CERTIFICATIONS

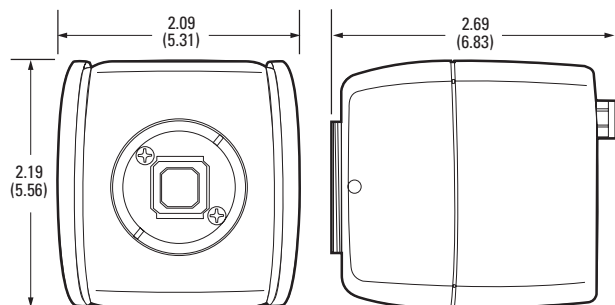
- CE, Class B
- FCC, Class B
- UL/cUL Listed

RECOMMENDED LENSES

| | |
|-----------------------------------------|----------------------------------------------------------------------|
| 13VDIR2.8-11, 13VDIR3-8.5, 13VDIR7.5-50 | Varifocal lenses, 1/3-inch format, auto iris, direct drive, infrared |
|-----------------------------------------|----------------------------------------------------------------------|

RECOMMENDED MOUNTS

| | |
|--------|--------------------------------------------------|
| C10-UM | C10 series universal wall/ceiling/rail mount kit |
|--------|--------------------------------------------------|



NOTE: VALUES IN PARENTHESES ARE CENTIMETERS; ALL OTHERS ARE INCHES.



Pelco, Inc. Worldwide Headquarters:
3500 Pelco Way, Clovis, California 93612-5699 USA
USA & Canada Tel: (800) 289-9100 • FAX (800) 289-9150
International Tel: +1 (559) 292-1981 • FAX +1 (559) 348-1120
www.pelco.com

Pelco, the Pelco logo, DomePak, and ImagePak are registered trademarks of Pelco, Inc. Inc. Sony is a registered trademark of Sony Corporation. Product specifications and availability subject to change without notice. ©Copyright 2008, Pelco, Inc. All rights reserved.